

Changingplaces



Changingplaces Single Changing Container

What is a Single Changing Container?

These modular units are based on the module of a shipping container but are new metal panelled structures. These particular facilities, originally developed by Scottish Football Partnership, are available for grass roots youth teams for all sports as an important first step on the changing pavilion route. Matching storage containers are also available.

The Storage units are “once used” 20ft shipping containers which are reconditioned and painted to suit Club requirements to provide a cost effective facility.

How is this constructed?

All services, insulation and internal finishes are incorporated off-site and the modules are fitted out in the factory and brought to the site on the back of a lorry for craning into position.

The container system only requires services and concrete footings to be in place on site prior to delivery.

The finished containers have a standard, robust metal finish and will be provided in a limited range of colours to suit Planning requirements.

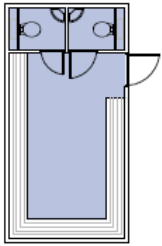
Advantages

- Cost effective standardised solution for youth teams.
- Pre-Finished in factory to ensure consistency of high quality, robust finish and ease of movement.
- Speed; 3-month lead-in and build programme.
- Proposals have Building Control approval in principle for all sites in Scotland.
- Delivered to site ready for service connections.
- Portable – containers can be relocated as Club develops or move site.
- Fabricators can offer full planning and warrant application service.

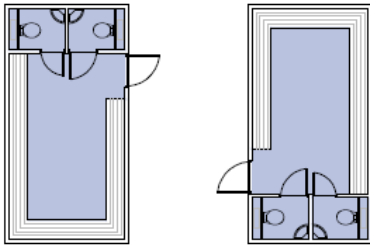
Disadvantages

- Occupancy limited to 15 youth per container.
- Showers not included as standard (can be fitted at a cost)
- Limited life span.
- Aesthetic of container not suitable for all sites
- Limited number of contractors nationwide

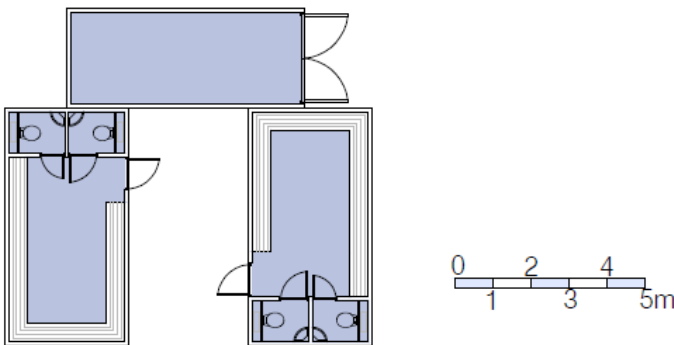
Changingplaces



Single Team Changing Option



2 Team Changing Option



2 Team Changing and Storage Option

Schedule of Accommodation

| | |
|--------------------|--------------------|
| Home Changing Room | 18m ² |
| Changing Area | 15m ² |
| WC | 3m ² |
| Away Changing Room | 18m ² |
| Changing Area | 15m ² |
| WC | 3m ² |
| Storage Container | 14.5m ² |

Costs for Single Changing Container excl VAT

| | |
|------------------------------------|------------------|
| 2 Team Changing | |
| Building footprint | 40m ² |
| Nominal Cost | £23K |
| 2 Team Changing and Storage | |
| Building footprint | 56m ² |
| Nominal Cost | £27K |

The club will need to consider the following additional services associated with a building project.
(additional services are given as a percentage of total project cost)

- Site works 10%
- Professional Fees 10 -15%
- Service Connections 3-5%
- Prelims and Contingency 15%

These costs do not include one off charges for delivery of units to site, craneage costs and installation of buildings at site.

All costs based on Autumn 2012 prices. Costs prepared by SIBCAS Ltd.