

Outdoor hockey pitch

Full size pitch dimensions

91.4m x 55m

Safety margin: 3m all round

Line markings

Width of lines: 75mm

A centre-line shall be marked across the width of the field.

A 23 metre line shall be marked in each half. The line shall be 22.9 metres from each back-line measured between the farthest edges of each line.

Goal lines shall be marked as follows. A line 3.66m long shall be marked in front of each back-line. The 3.66m line shall be parallel to the back-line, centred on the centre of the goals and 14.63m from the back-line (measured from the outer edge of back-line to outer edge of 3.66 line). The ends of the 3.66m line shall be joined to the back-line by quarter circles.

The radius of the quarter circles shall be 14.63metres. The radius shall be measured from the inside front edge of the nearer goal post to the outer edge of the line.

Marks 0.3m in length shall be placed outside the field of play on each side-line and parallel to the back-line and 14.63m from its inner edge.

For penalty corner hits, the field shall be marked outside the field of play on the back-lines on both sides of the goal at 5m and 10m from the outer edge of the nearer goal-post such distance being to the further edge of those lines.

For corner hits the field shall be marked outside the fields of play on the side-lines 5m from the outer edge of the back-lines. All these marks are to be 0.3m in length.

A spot 150mm in diameter shall be marked in front of the centre of each goal; the centre of the spot shall be 6.4m from the inner edge of the goal-line.

A broken line shall be marked 5m from the outer edge of the goal circle-lines. This dimension is measured from the outer edge of the circle-line to the outer edge of the broken line. The broken line shall consist of solid sections of 300mm long with 3m gaps between. This line is mandatory for international matches and discretionary for other matches.

Colours

The colour of the lines are white.

The pitch surface is most commonly green.

For "FIH Global pitches" the colour of the run off area must be different from the pitch area

Playing Surface

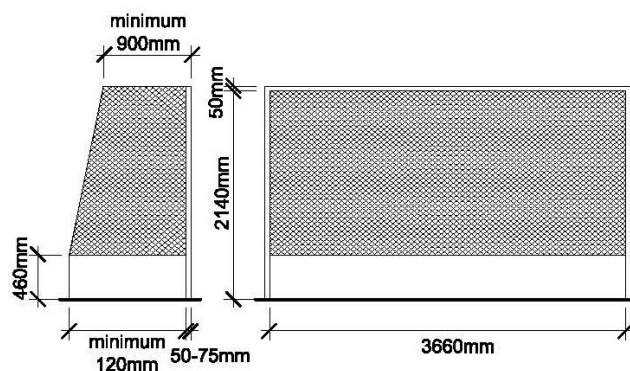
For more information on appropriate pitch surfaces please see **sportsotland DATASHEET 100** and **sportsotland DATASHEET 102**

Safety margin should be identical construction to the playing surface.

Goals

3.66m from inside post to inside post

2.140m from the ground to the lower edge of the crossbar.



Player pathway

National level & regional level play

Surfaces require to be constructed and tested to meet FIH global standard with a 13-14mm pile water based carpet. No other sports lines marked may be on the surface. This pitch requires to be north south orientation.

Regional level play

Surfaces require to be constructed and tested to meet FIH global standard with a 13-14mm pile water based carpet. The recommendation is that these pitches to be north south orientation.

Local level play

Surfaces are required to constructed to meet FIH standard. Preferred surface for club and developmental training and match play is sand dressed or sand filled. A number of short pile 3G carpets have been tested to meet FIH standard and are suitable for recreational play and schools use up to S3.

See **sportsotland** datasheet 102 for more information on pitch surfaces.

Source documents

FIH Rules of Hockey 2011

The International Hockey Federation

Scottish Hockey Facilities Strategy 2007 (& 2009 Review)

Endorsed by Scottish Hockey Union

